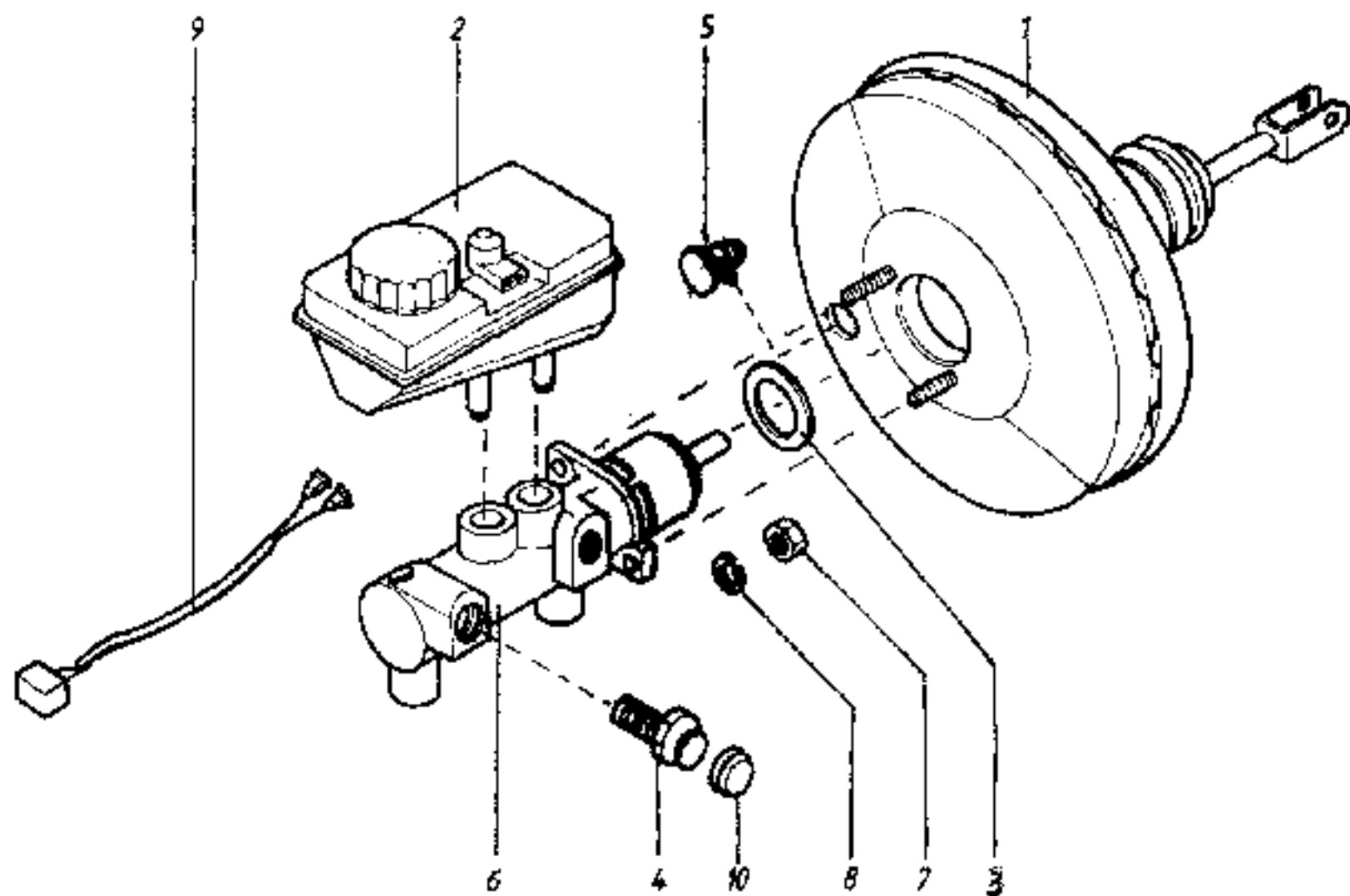


POMPA CENTRALA TANDEM Ø 22,2

TANDEM MASTER CYLINDER Ø 22,2

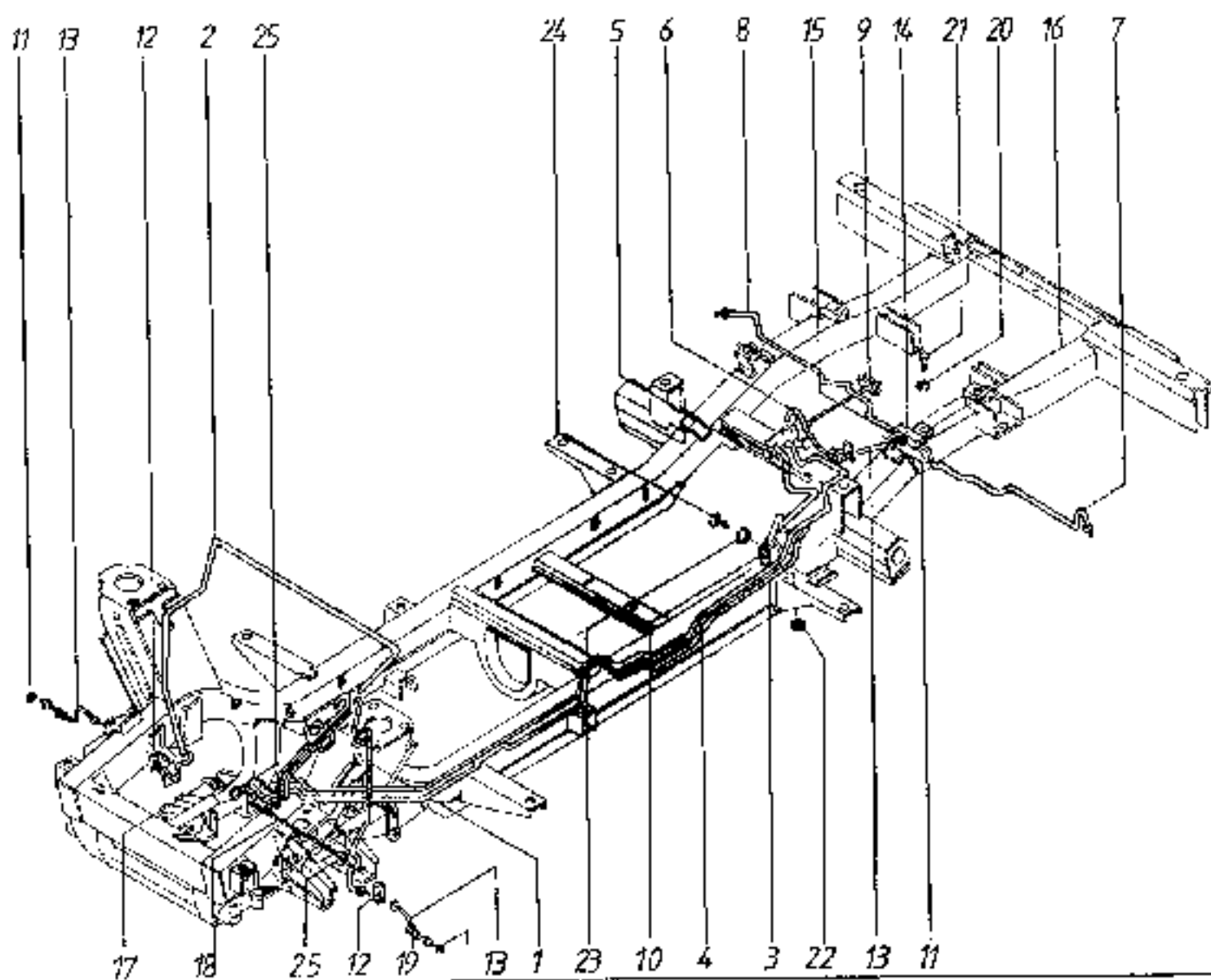
POMPE CENTRALE TANDEM Ø 22,2



SERVOFRINA SI POMPA BENDIX

SERVOBRAKE AND PUMP BENDIX

SERVOFREIN ET POMPE BENDIX

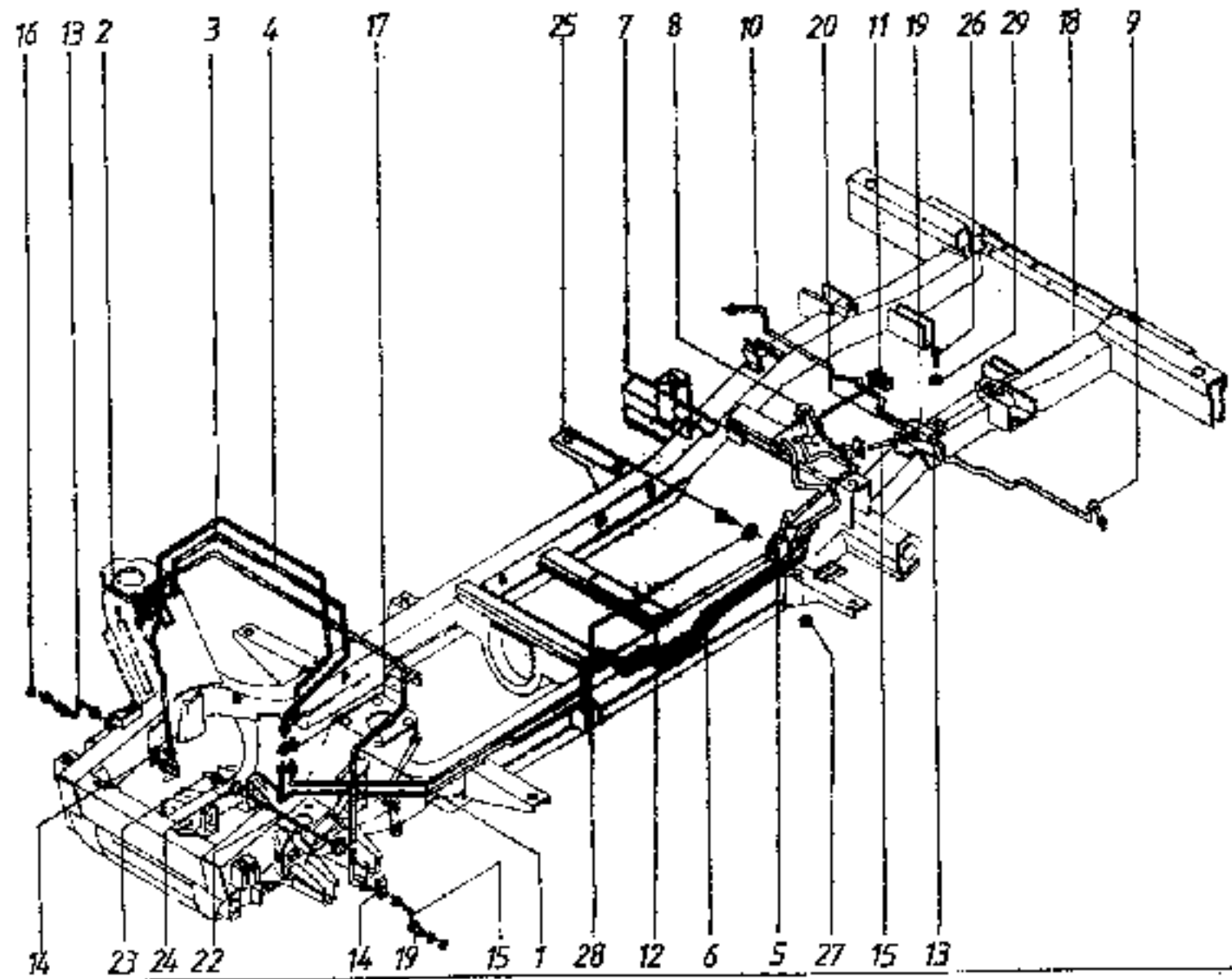


INSTALATIA HIDRAULICA DE FRINARE

BRAKE PIPING

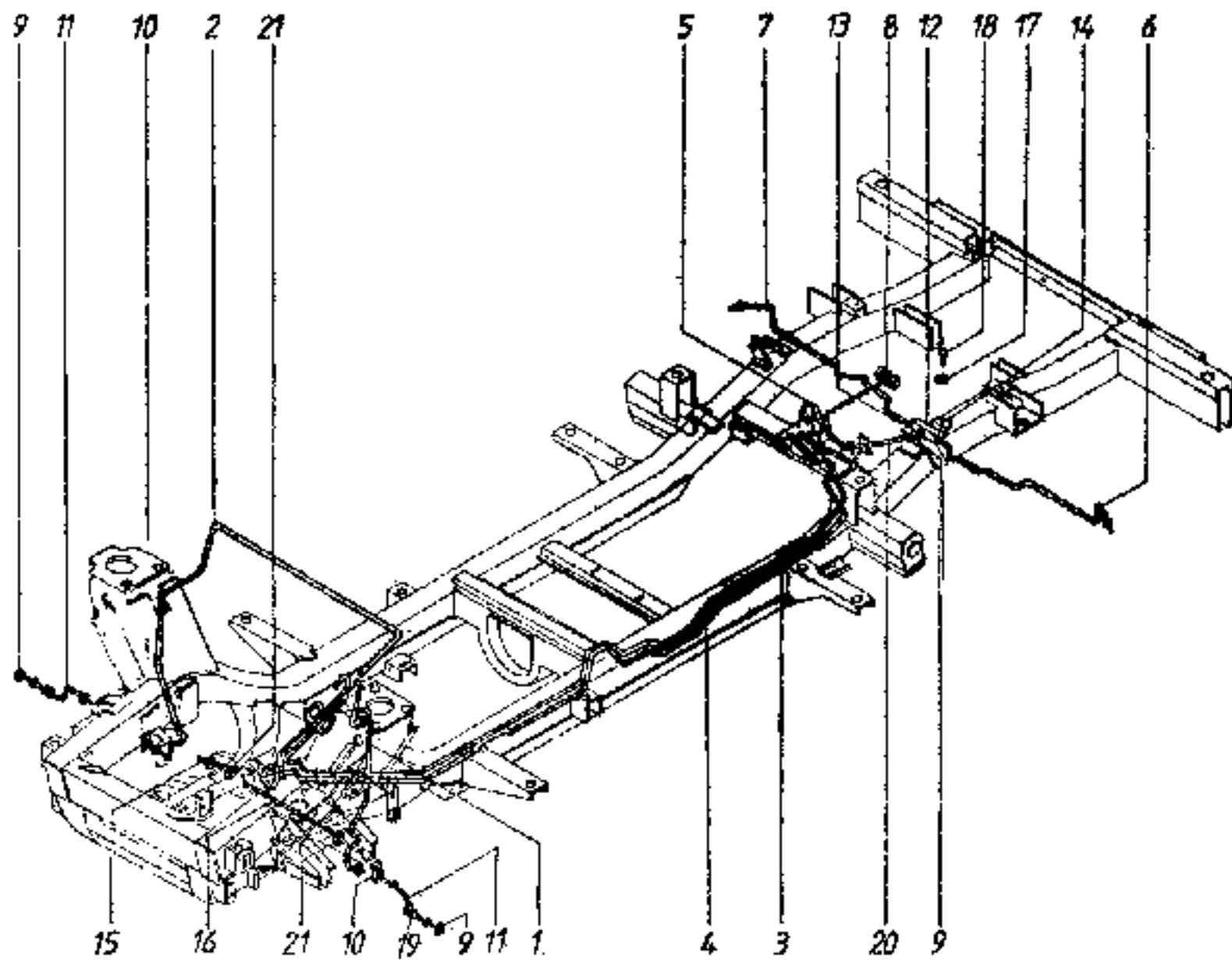
INSTALLATION HYDRAULIQUE DE
FREINAGE

35-00.1



INSTALATIA HIDRAULICA DE FRINARE BRAKE PIPING

INSTALLATION HYDRAULIQUE DE FREINAGE

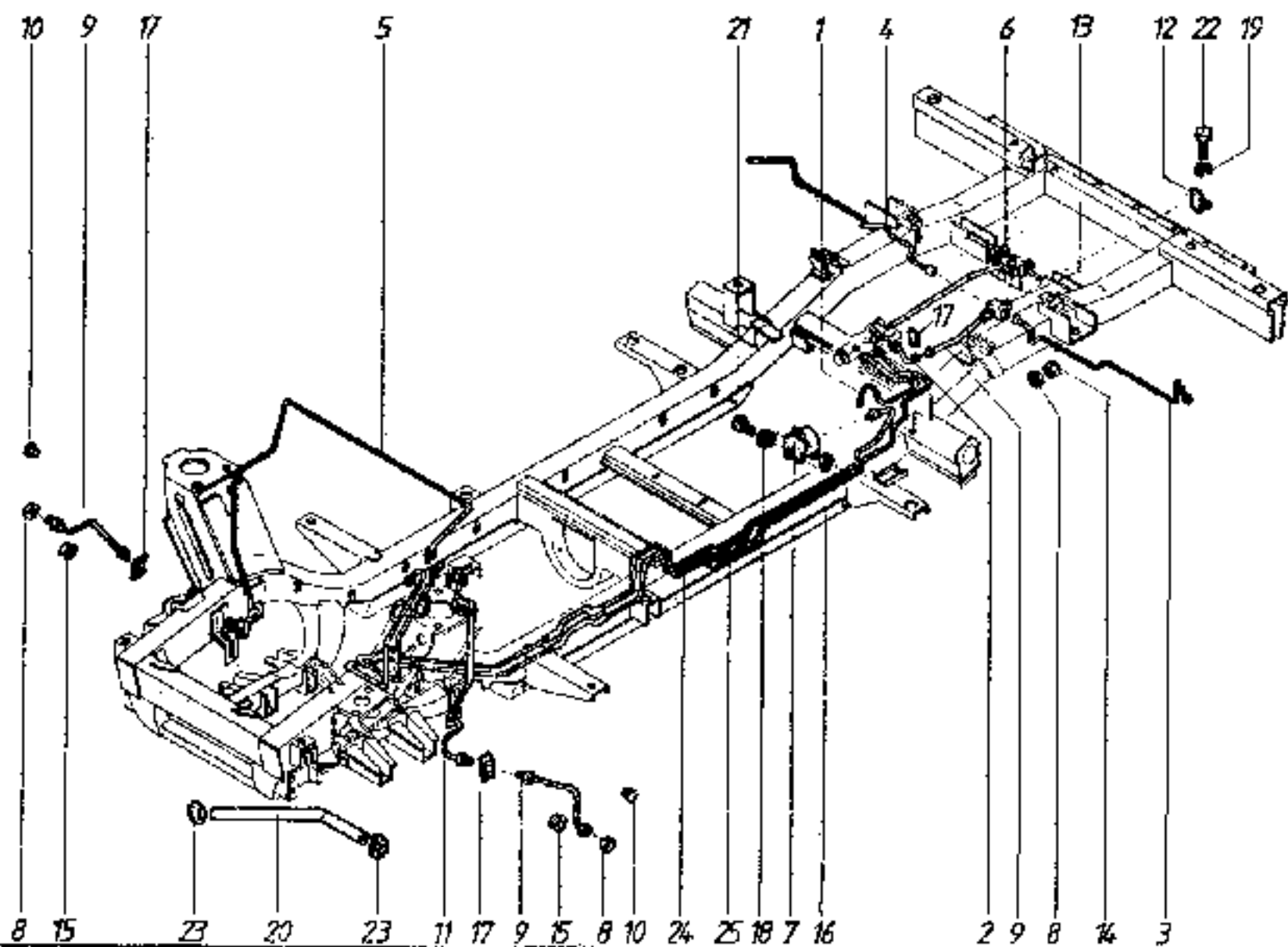


INSTALATIE
HIDRAULICA DE FRINARE

BRAKE PIPING

INSTALLATION HIDRAULIQUE DE
FREINAGE

35 - 00.4

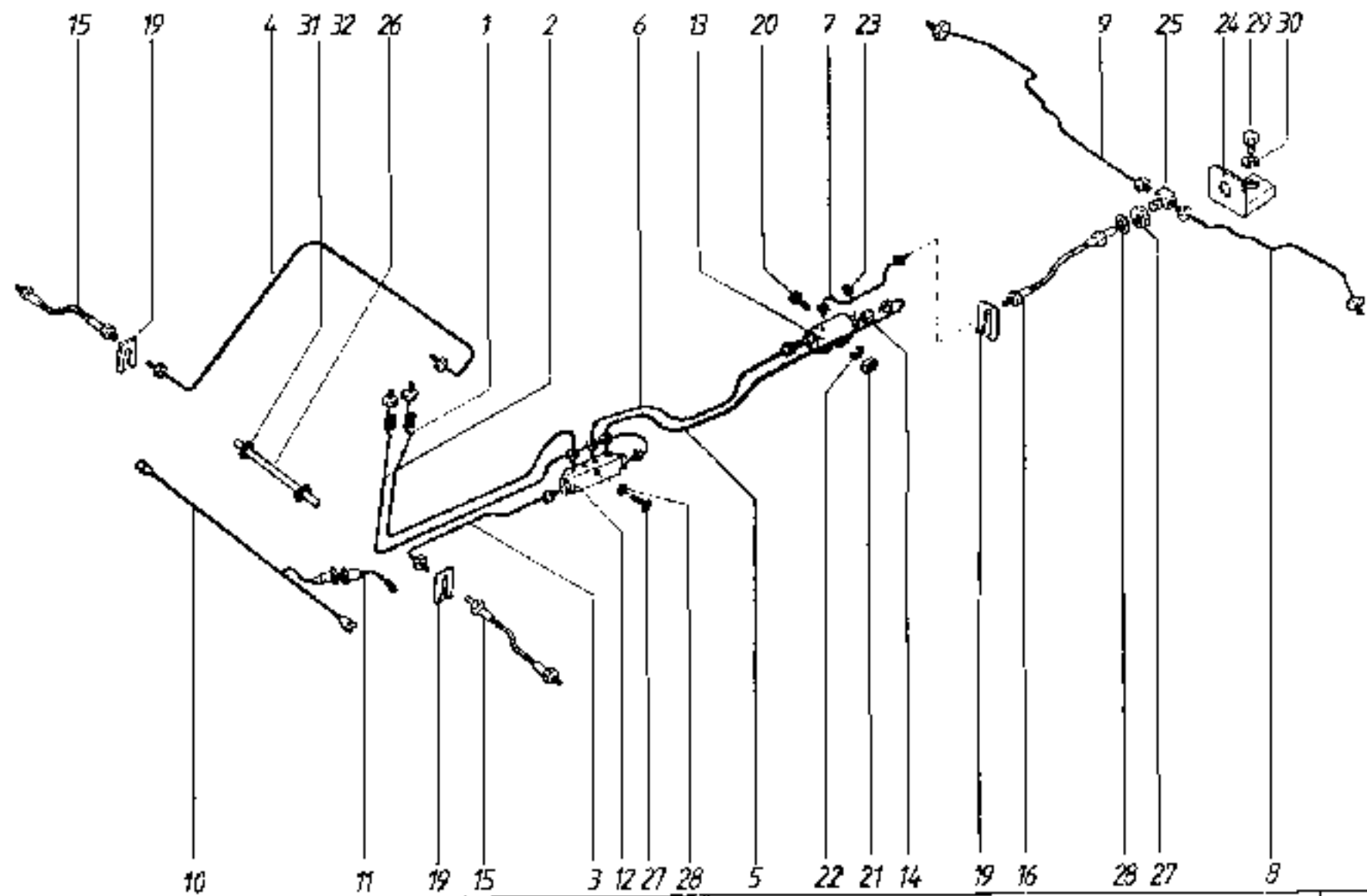


INSTALAȚIE HIDRAULICĂ DE FRÎNARE

BRAKE PIPING

INSTALLATION HYDRAULIQUE DE FREINAGE

35-00.5

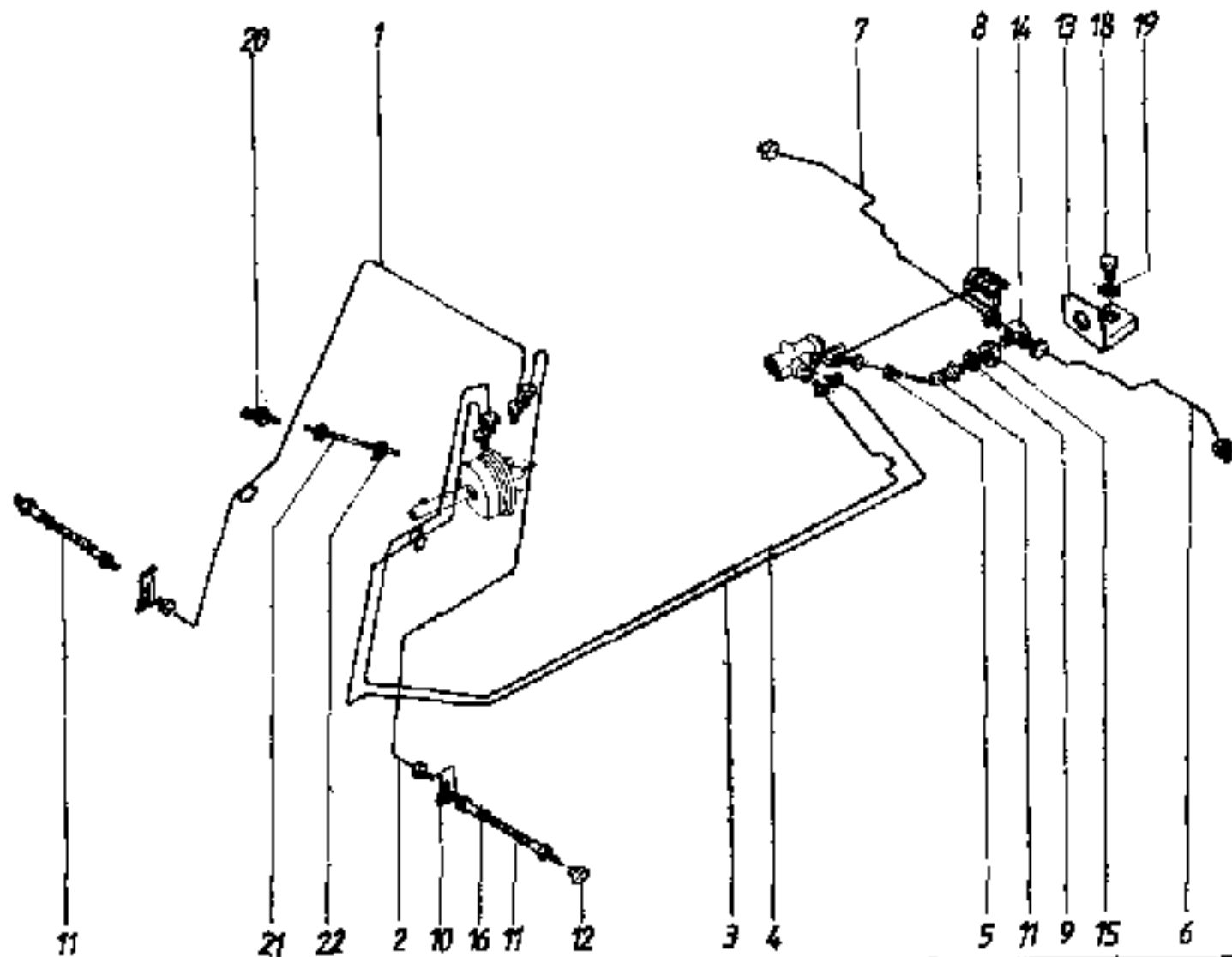


INSTALAȚIA HIDRAULICĂ DE FRINARE

BRAKE PIPING

INSTALLATION HYDRAULIQUE DE FREINAGE

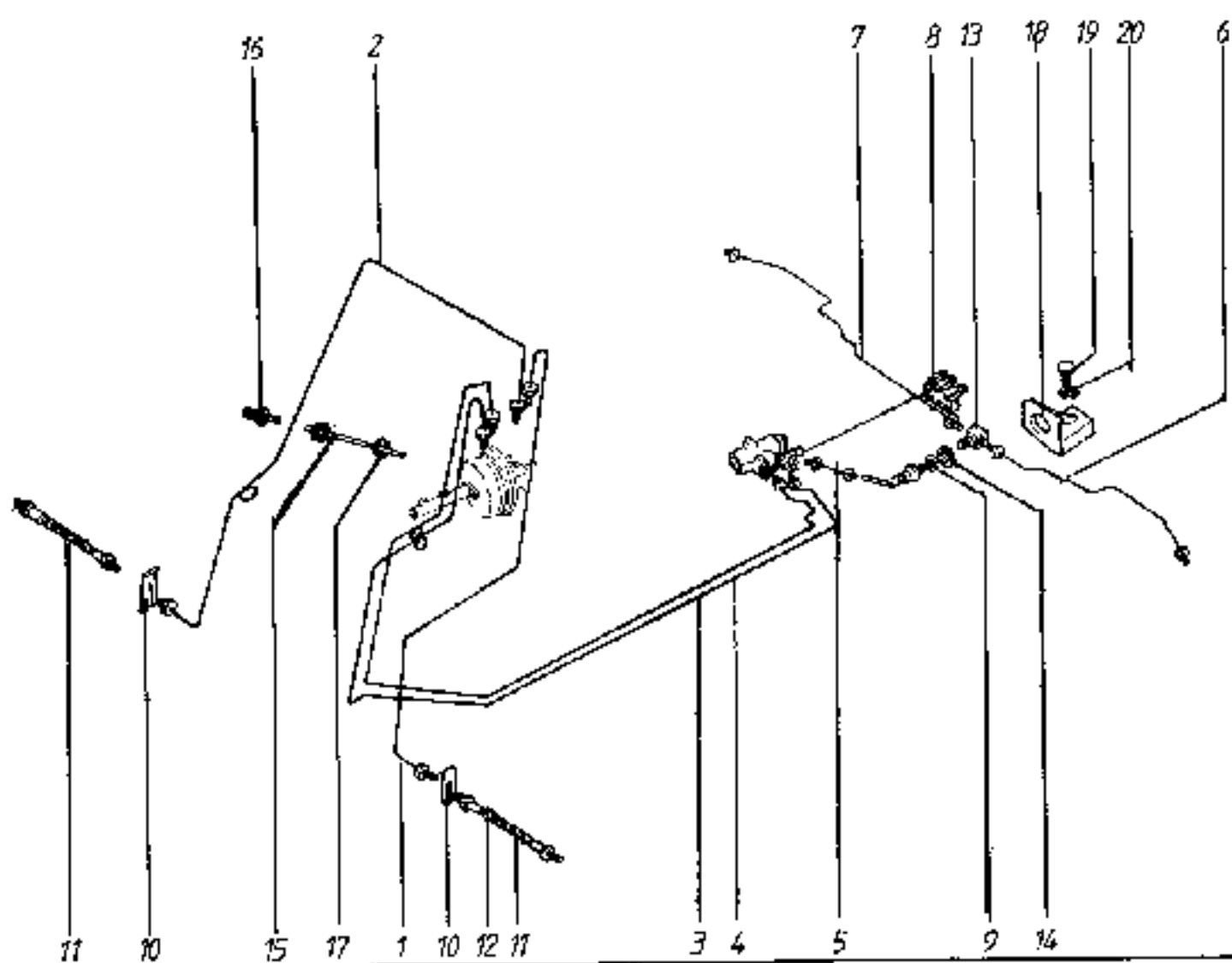
35-00_6



INSTALATIA HIDRAULICA DE FRINARE

BRAKE PIPING

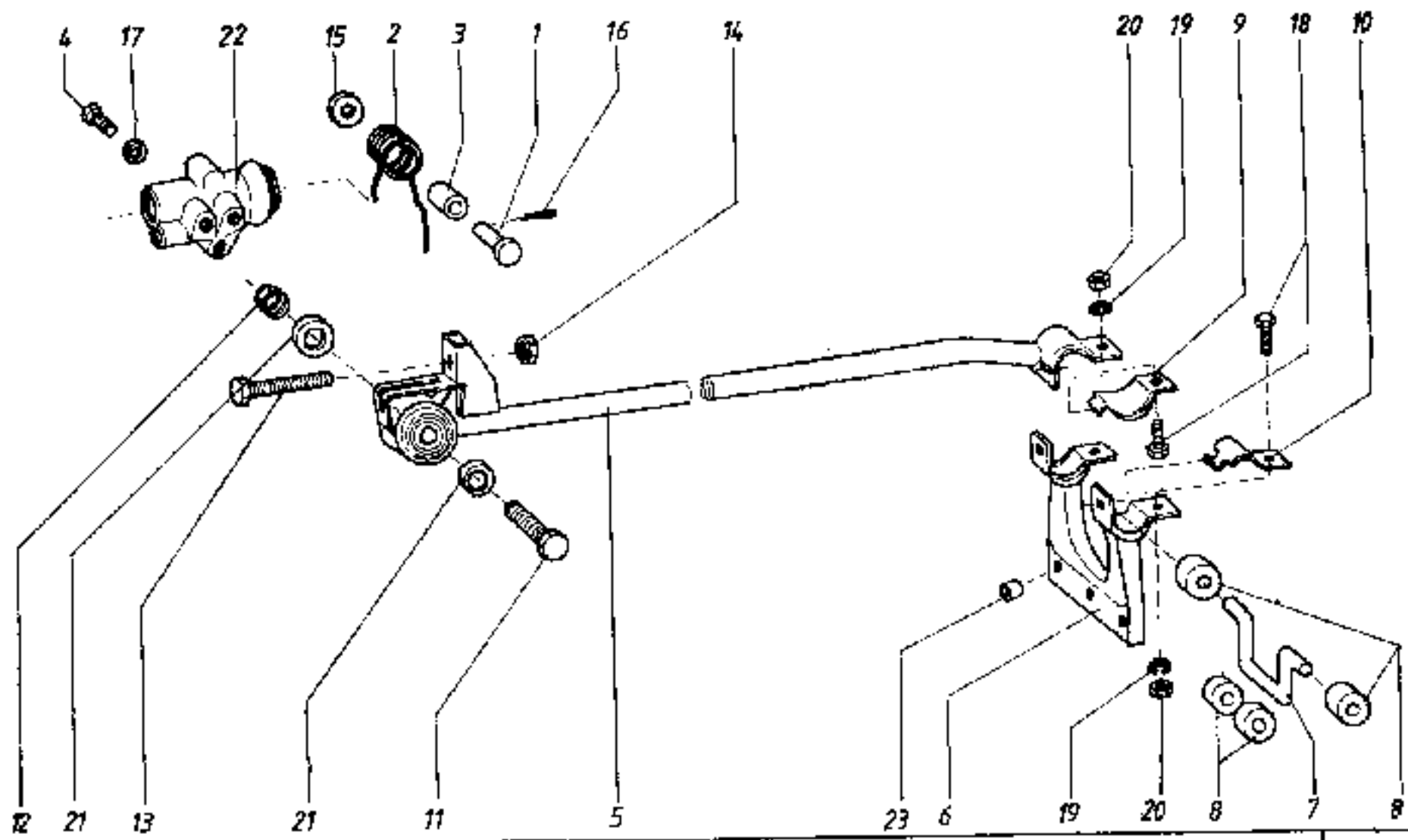
INSTALLATION HYDRAULIQUE DE FREINAGE



INSTALATIA HIDRAULICA DE FRINARE BRAKE PIPING

INSTALLATION HYDRAULIQUE DE FREINAGE

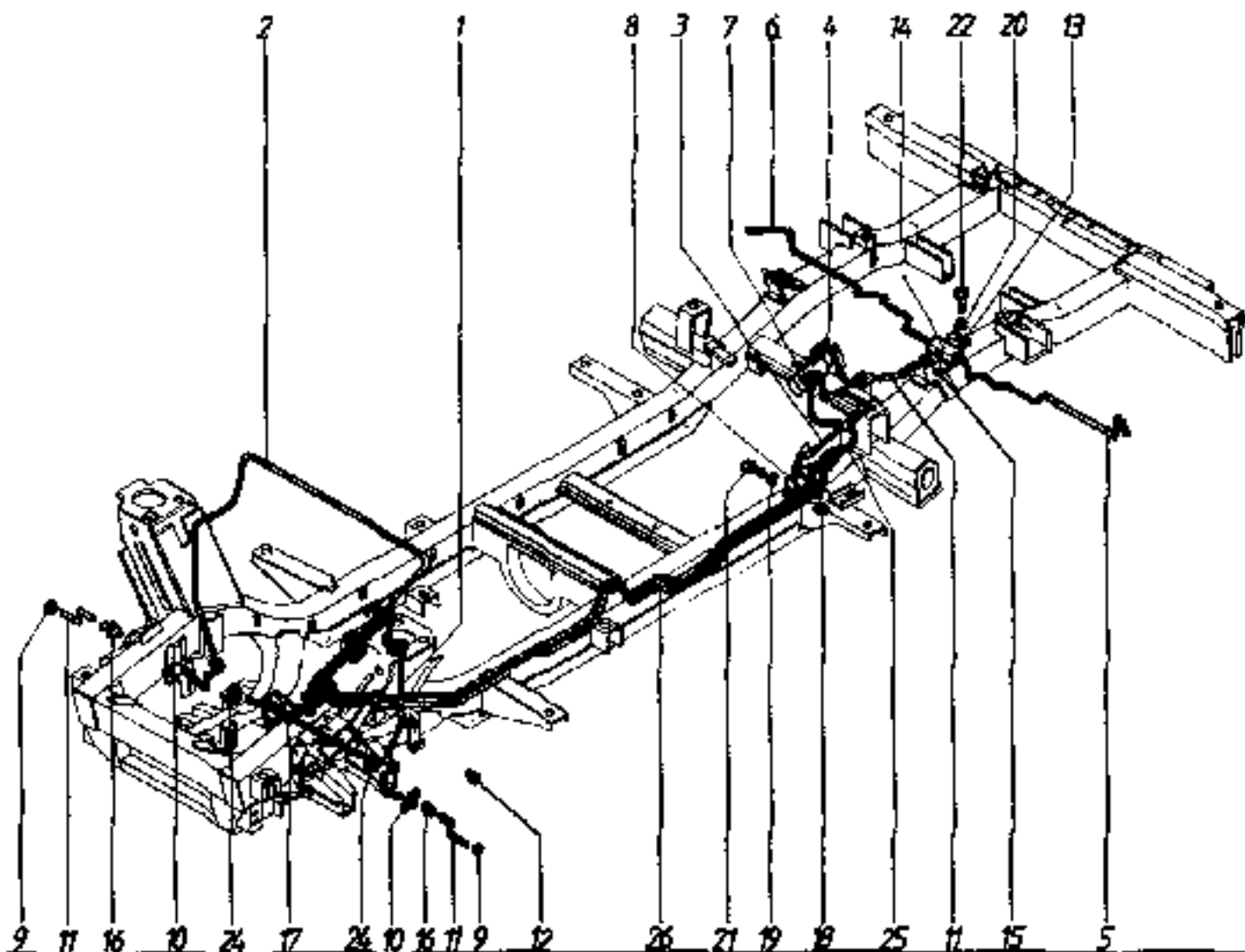
35 - 12

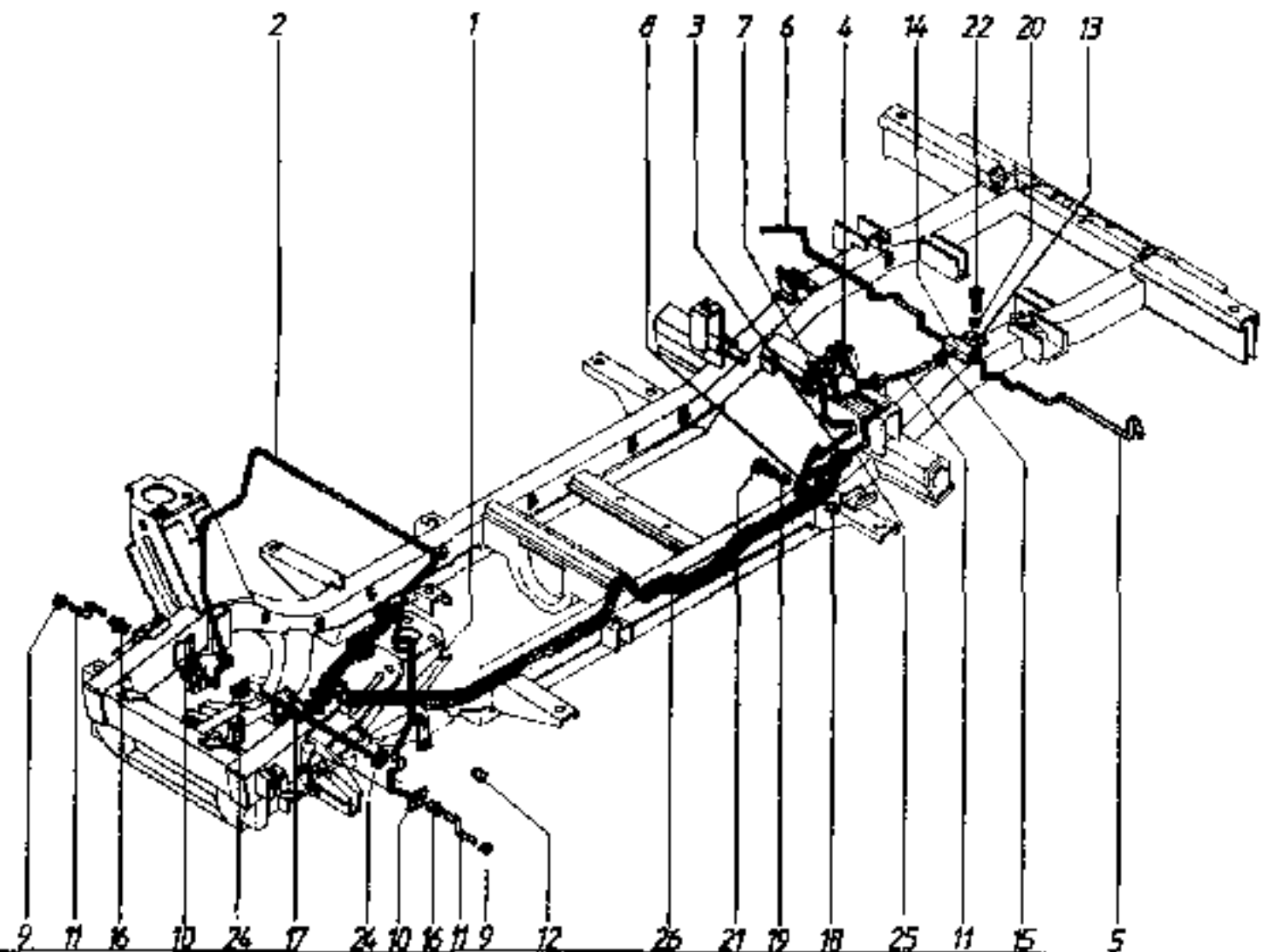


MONTAJ MECANISM LIMITATOR PRESIUNE

BRAKE VALVE COMPLETE

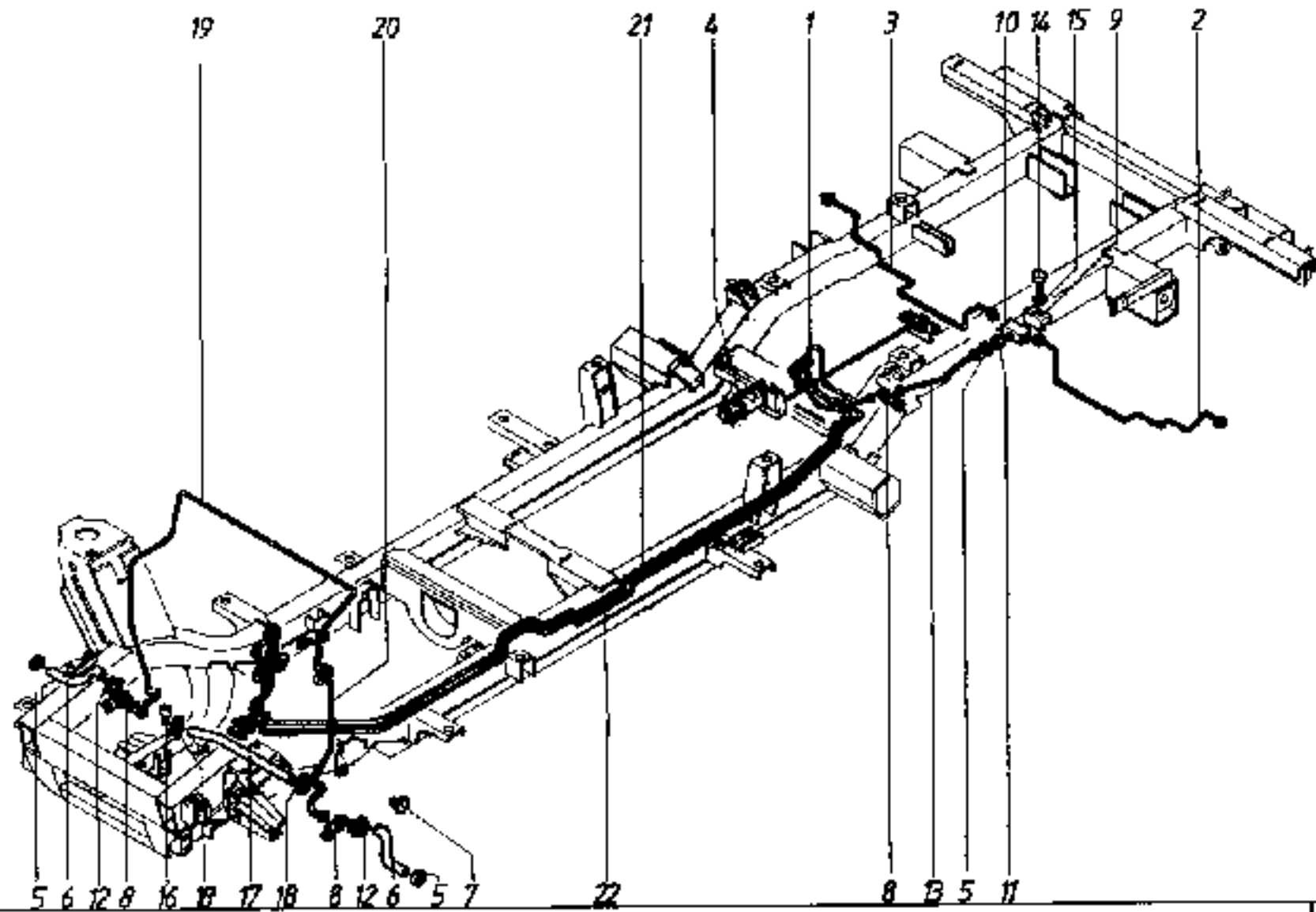
MONTAGE MECANISME LIMITEUR DE PRESSION





INSTALAȚIE HIDRAULICĂ DE FRINARE BRAKE PIPING

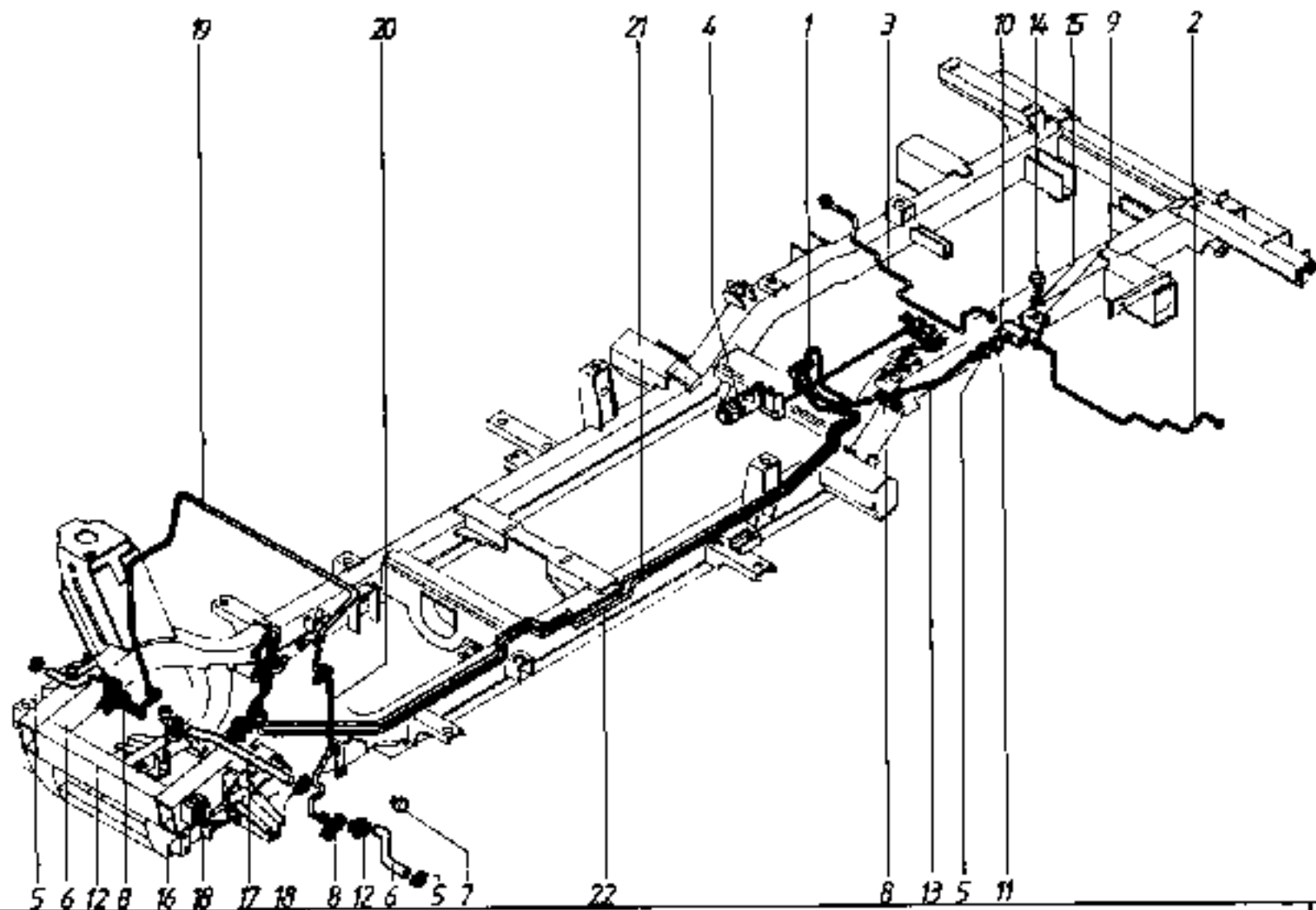
INSTALLATION HYDRAULIQUE DE FREINAGE



INSTALATIE HIDRALICĂ DE FRINARE

BRAKE PIPING

INSTALLATION HYDRAULIQUE DE FREINAGE

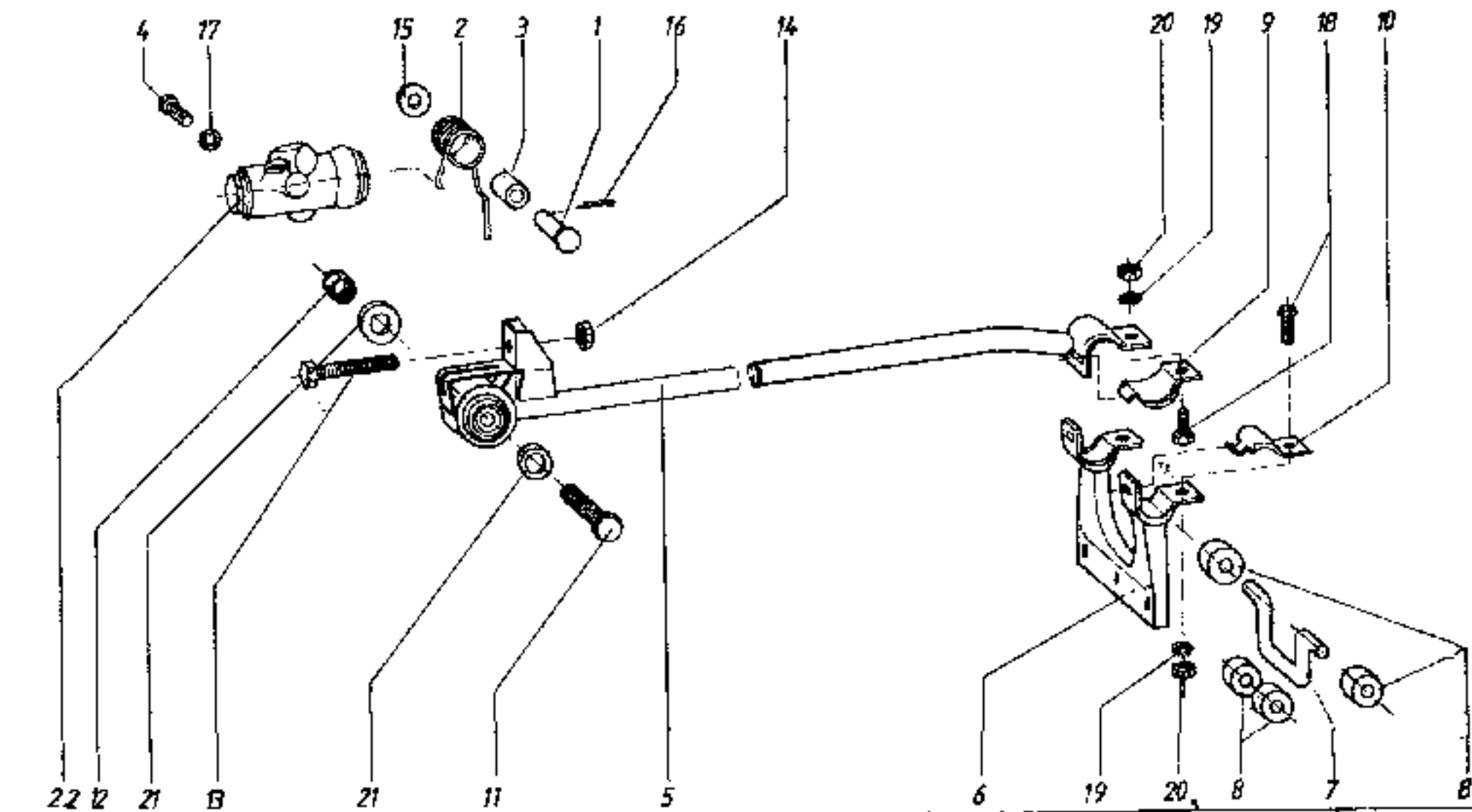


INSTALATIE HIDRAULICA DE FRINARE

BRAKE PIPING

INSTALLATION HYDRAULIQUE DE FREINAGE

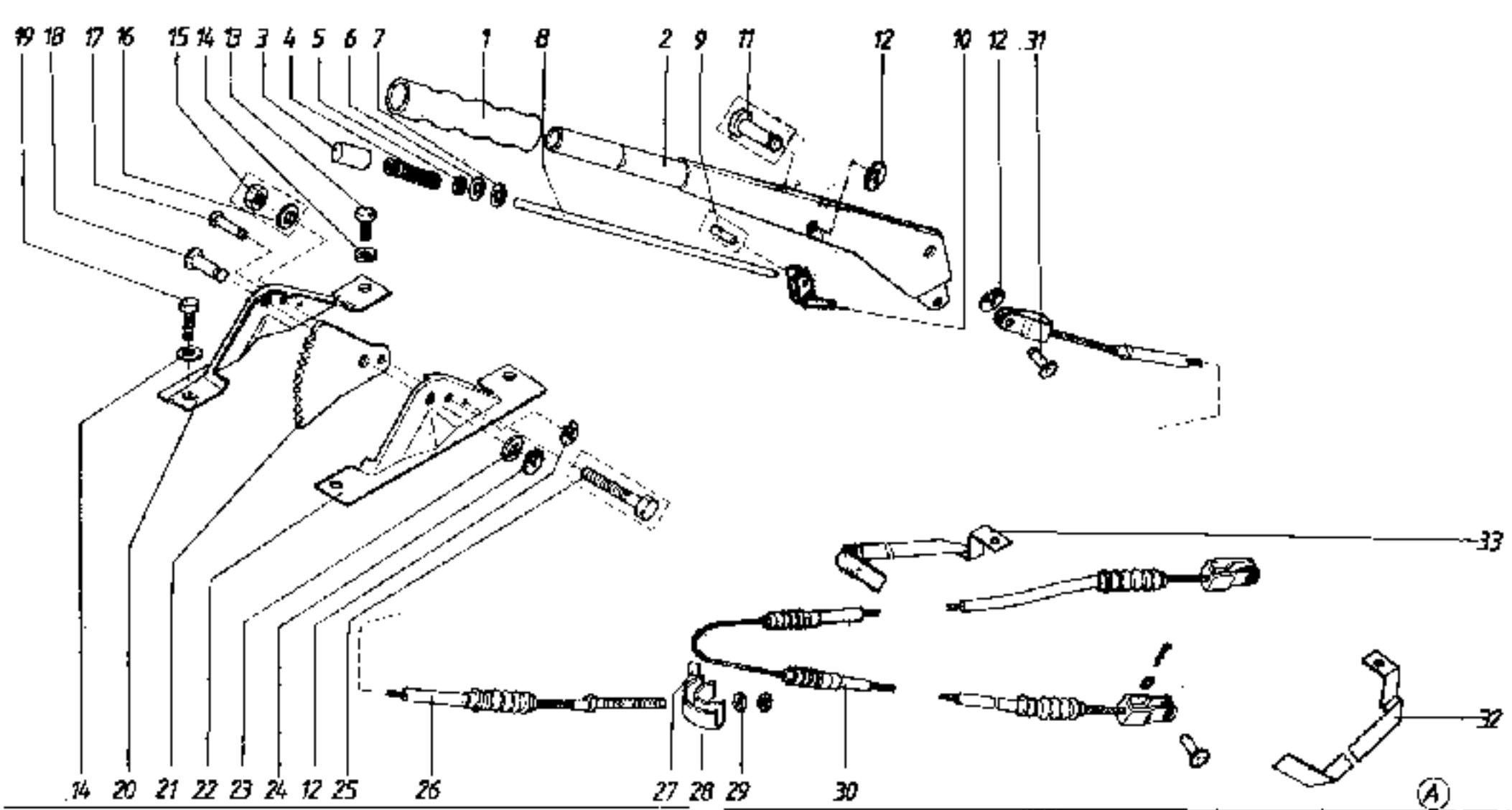
35-18



MONTAJ MECANISM LIMITATOR
PRESIUNE

BRAKE VALVE COMPLETE

MONTAGE MECANISME LIMITEUR
DE PRESSION

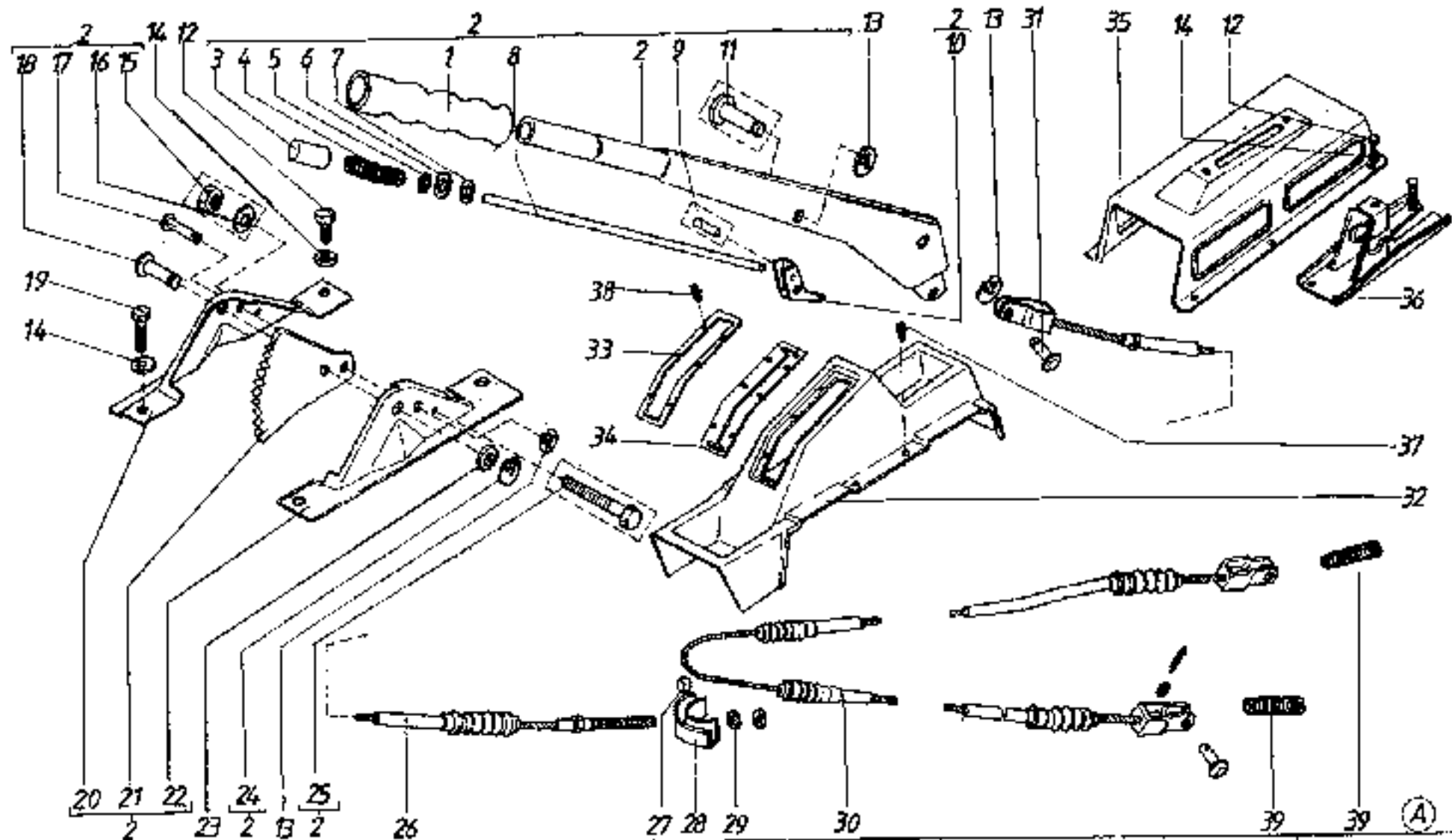


COMANDA FRINA MÍNA

HAND BRAKE CONTROL

COMMANDE FREIN A MAIN

35 - 50



COMANDA FRINA MINA

HAND BRAKE CONTROL

COMMANDE FREIN A MAIN

35-51