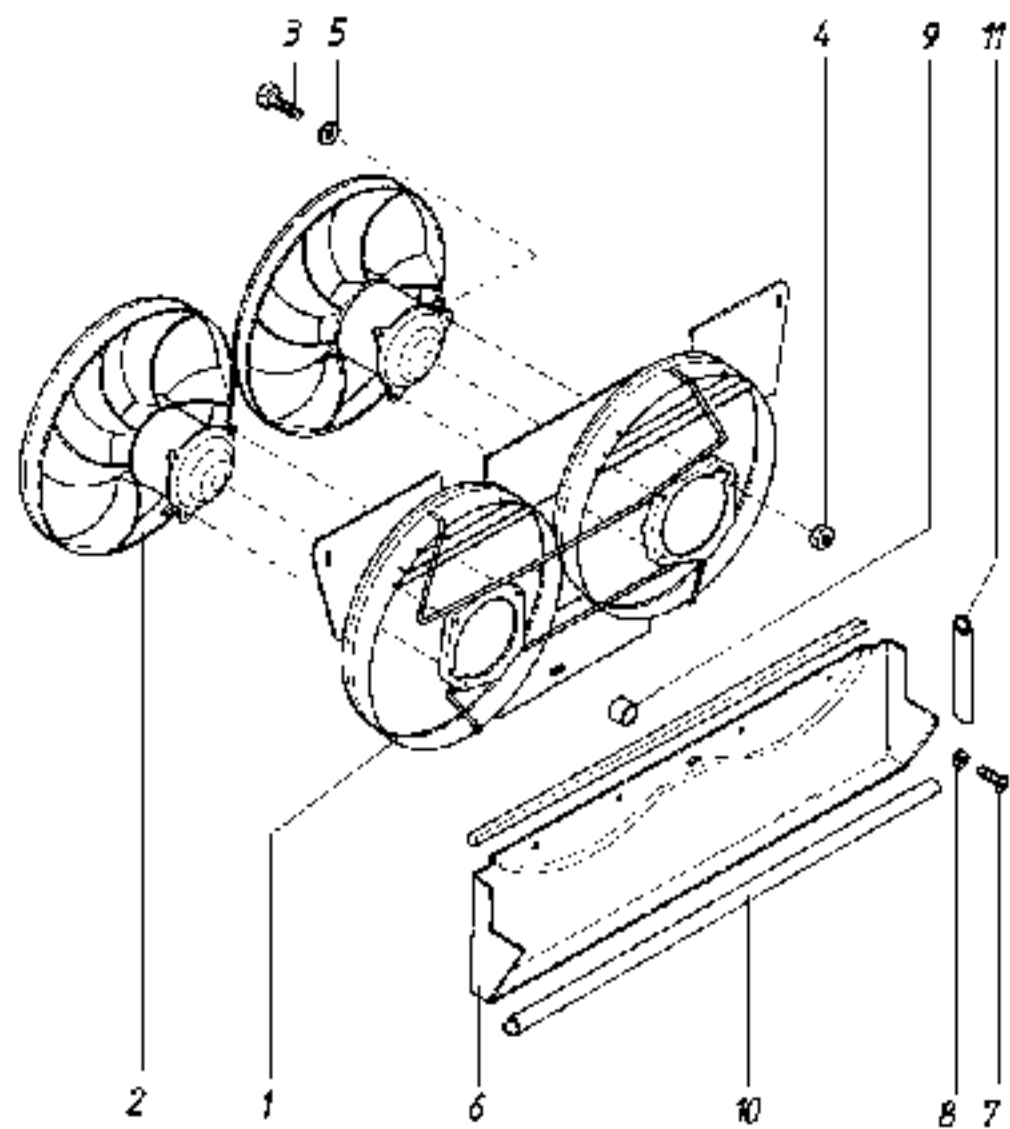


INSTALAȚIE RĂCIRE APĂ

COOLING SYSTEM

INSTALLATION DE REFROIDISSEMENT

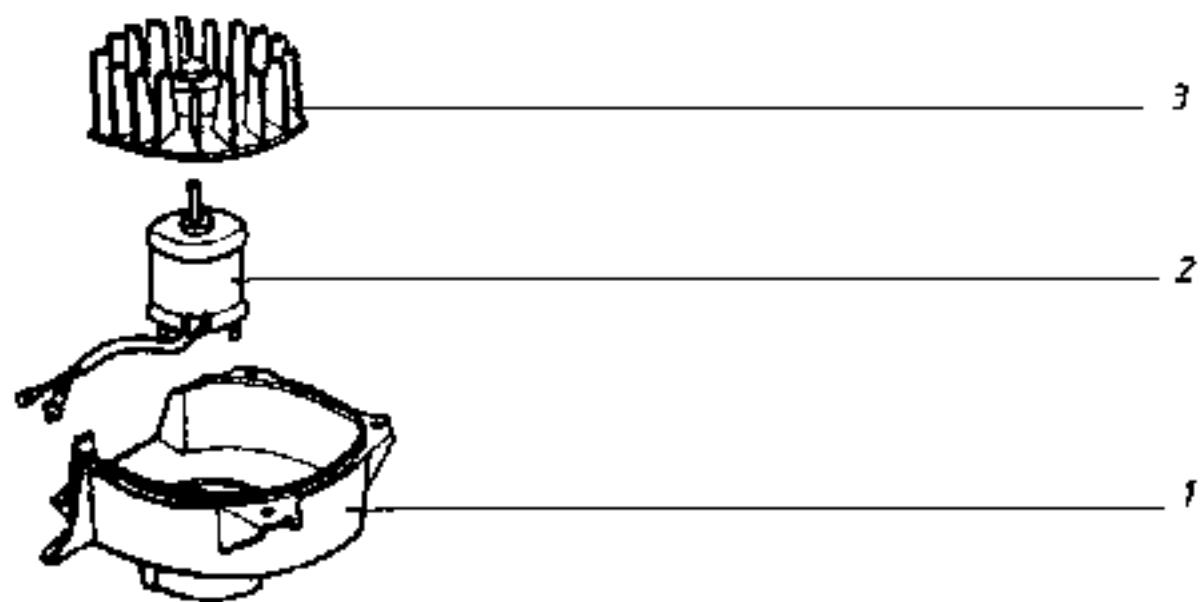
13-14.1



MONTAJ GRUP ELECTROVENTILATOR

ELECTROFAN GROUP MOUNTING

MONTAGE GROUPE ELECTROVENTILATEUR



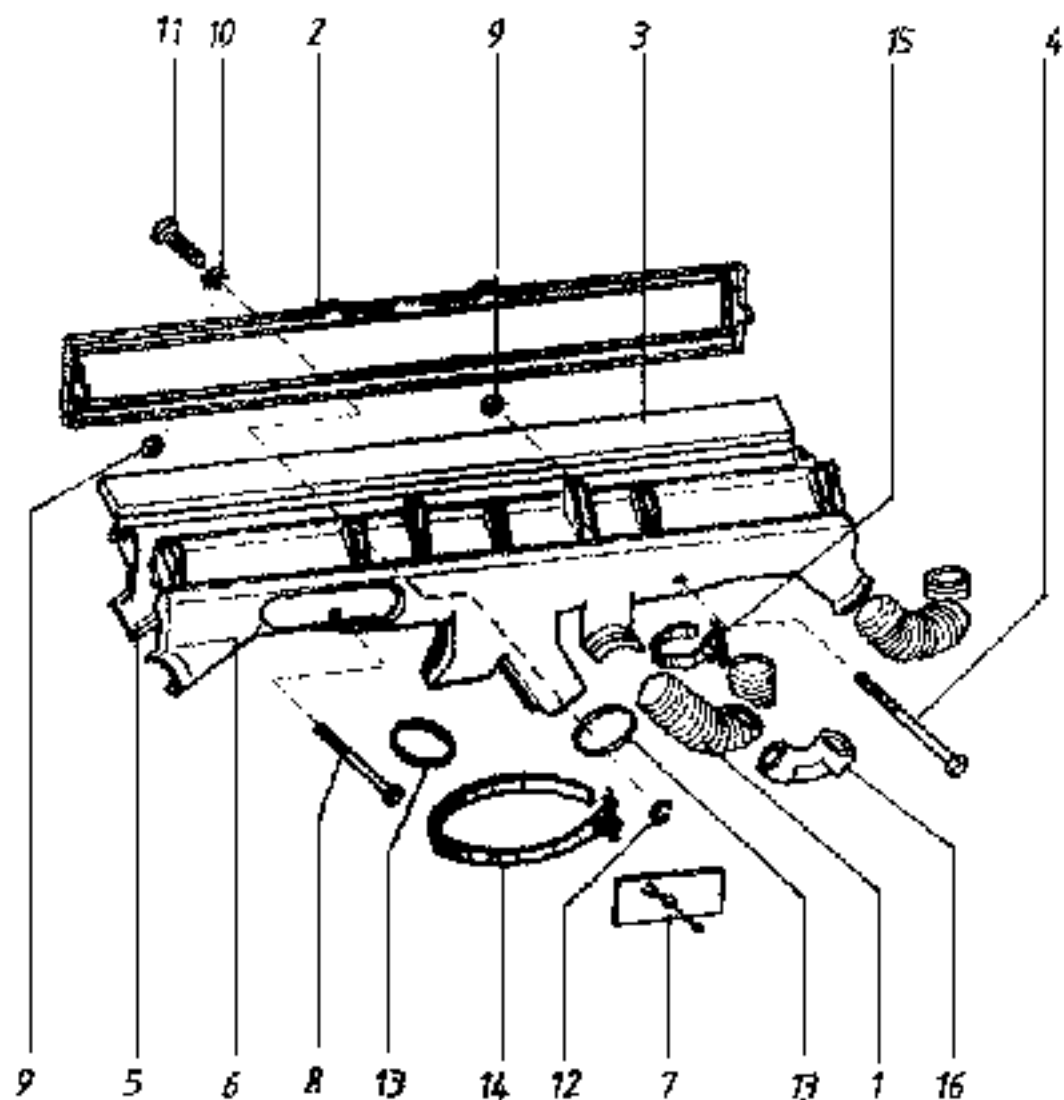
(A)

GRUP MOTOVENTILATOR INCALZIRE

HEATER UNIT ASSY

GROUPE MOTO VENTILATEUR CHAUFFAGE

75 - 10

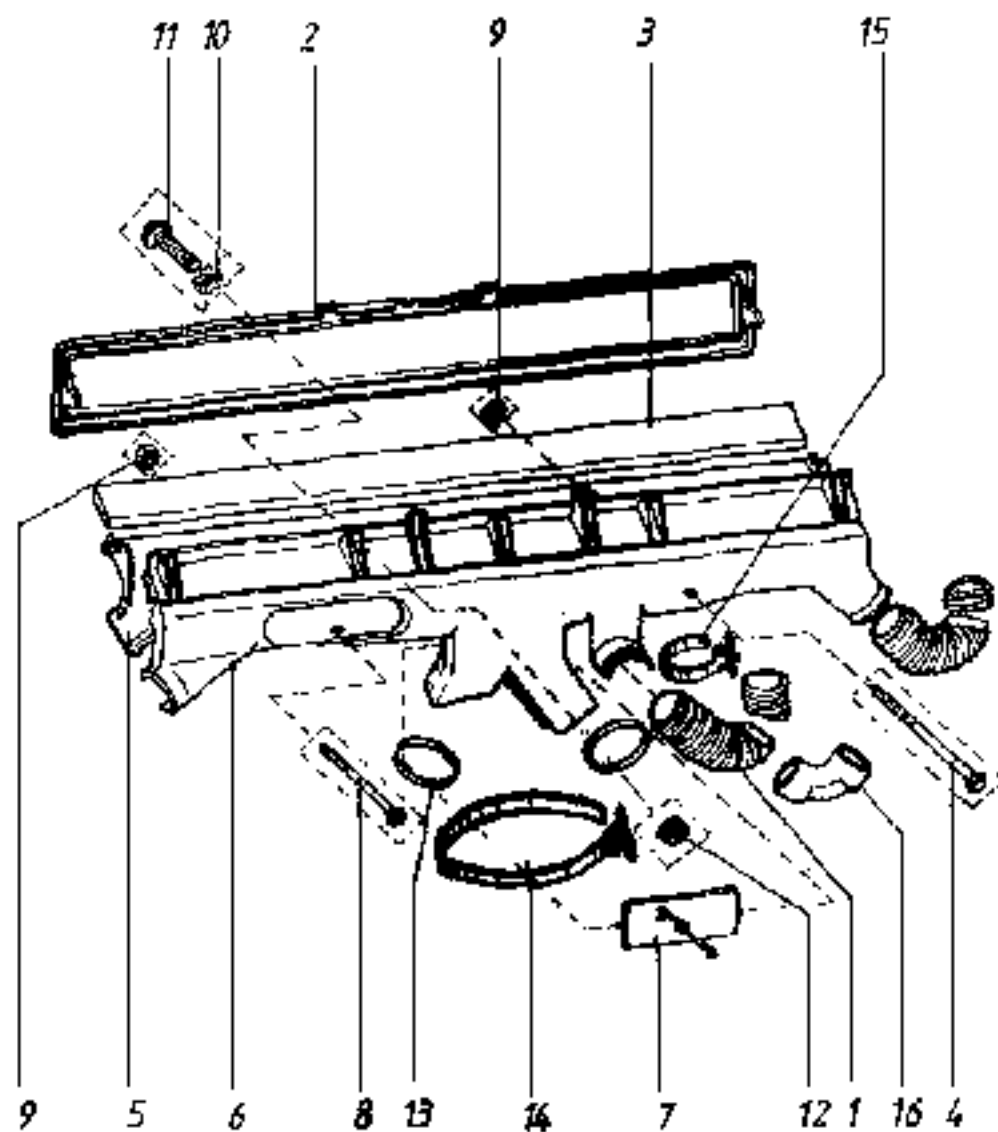


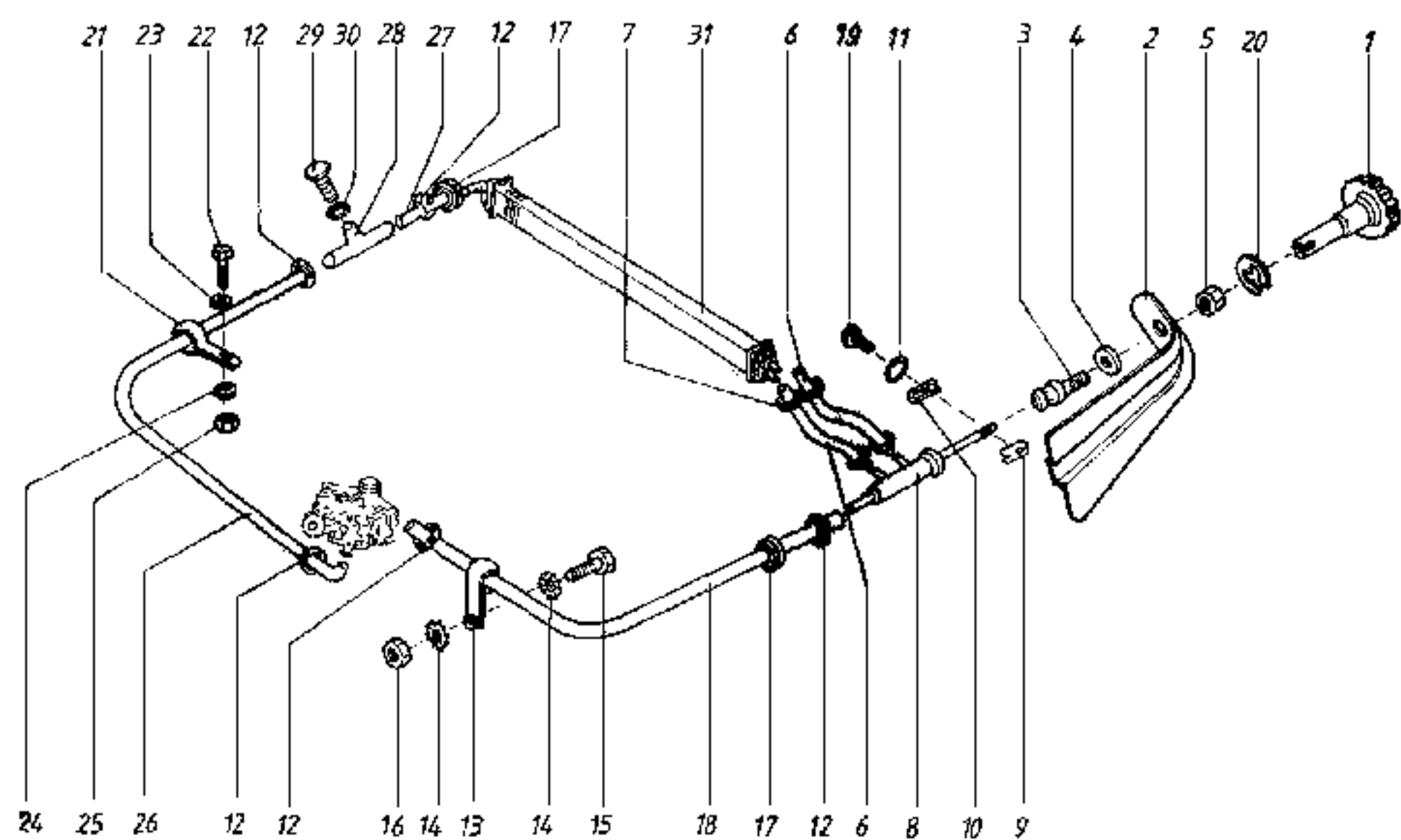
DISTRIBUTIE AER ANS

AIR DISTRIBUTION ASSY.

DISTRIBUTION D'AIR ENS.

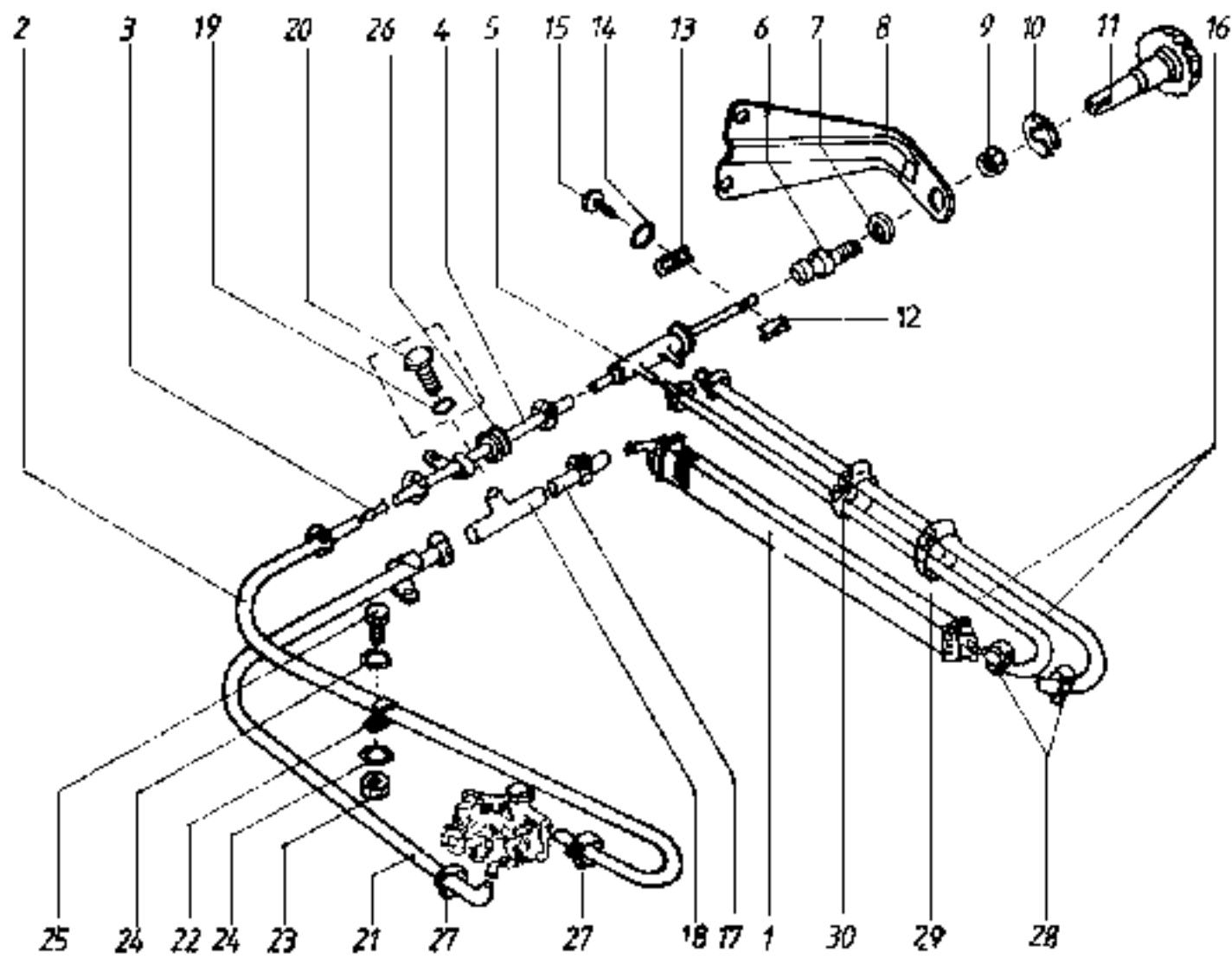
75 - 15





TUBULATURA INCALZIRE ANS. HEATING HOSES

TUBULATURE DE CHAUFFAGE

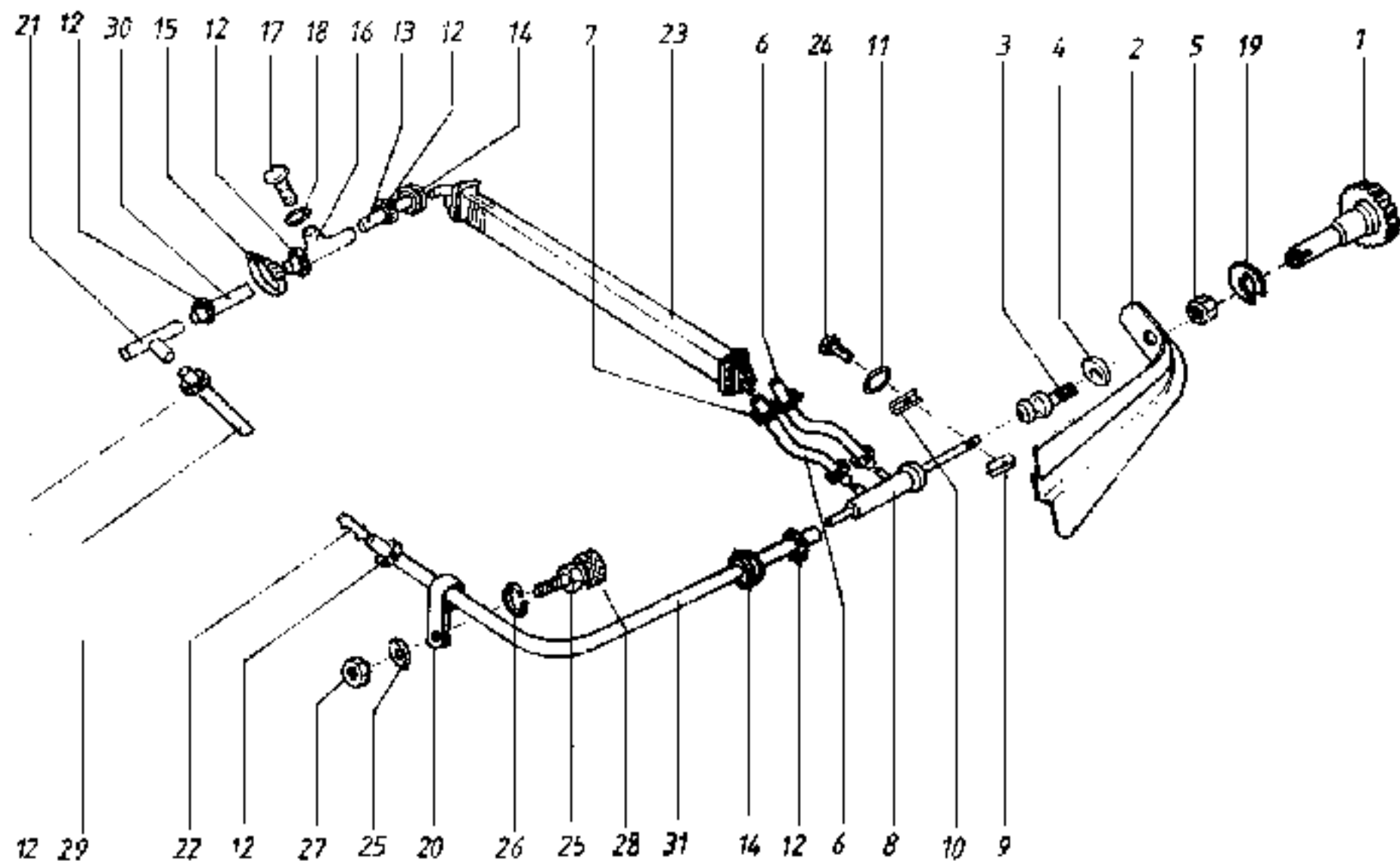


TUBULATURA INCALZIRE ANS.

HEATING HOSES

TUBULATURE DE CHAUFFAGE

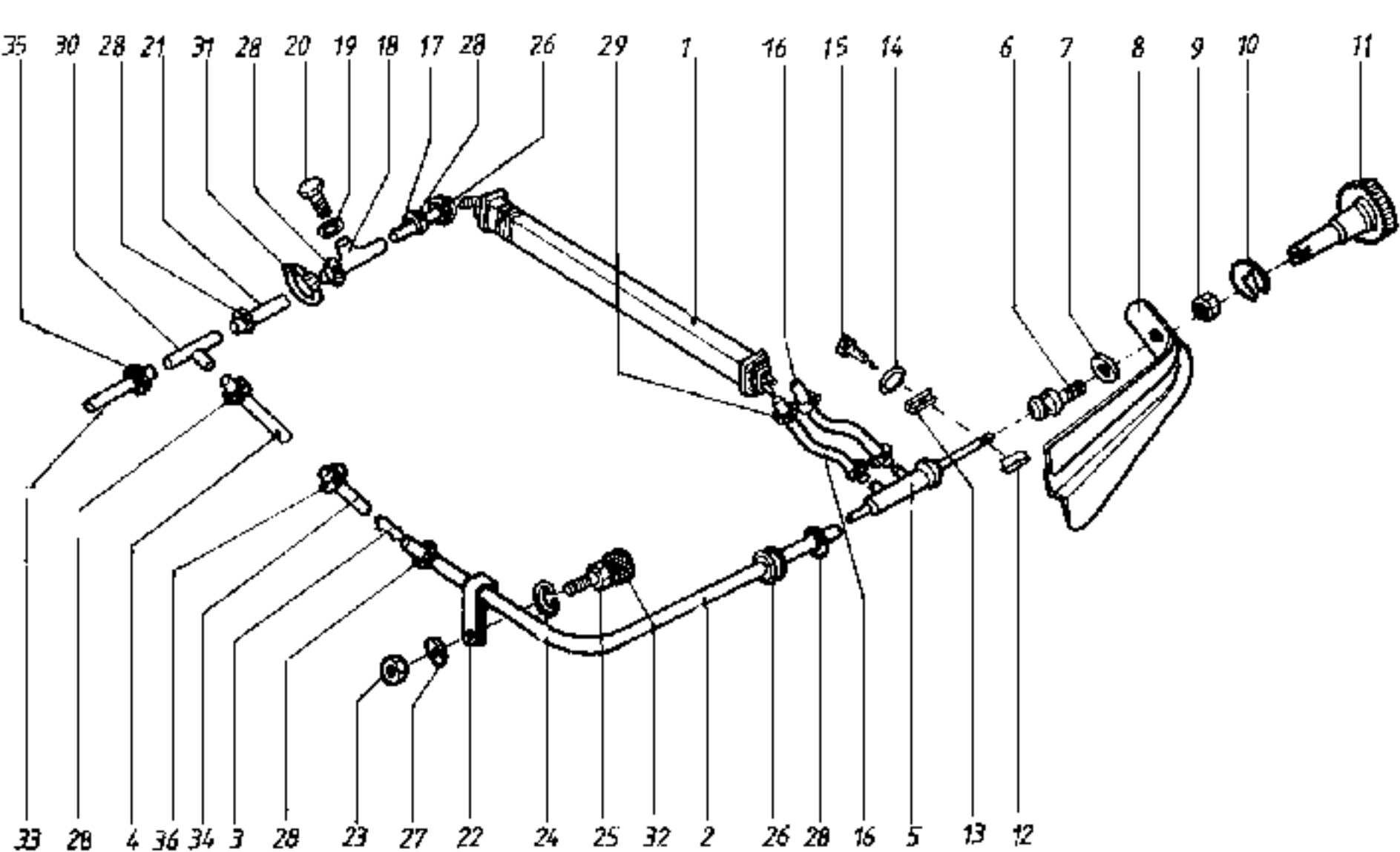




TUBULATURA INCALZIRE ANS.

HEATING HOSES

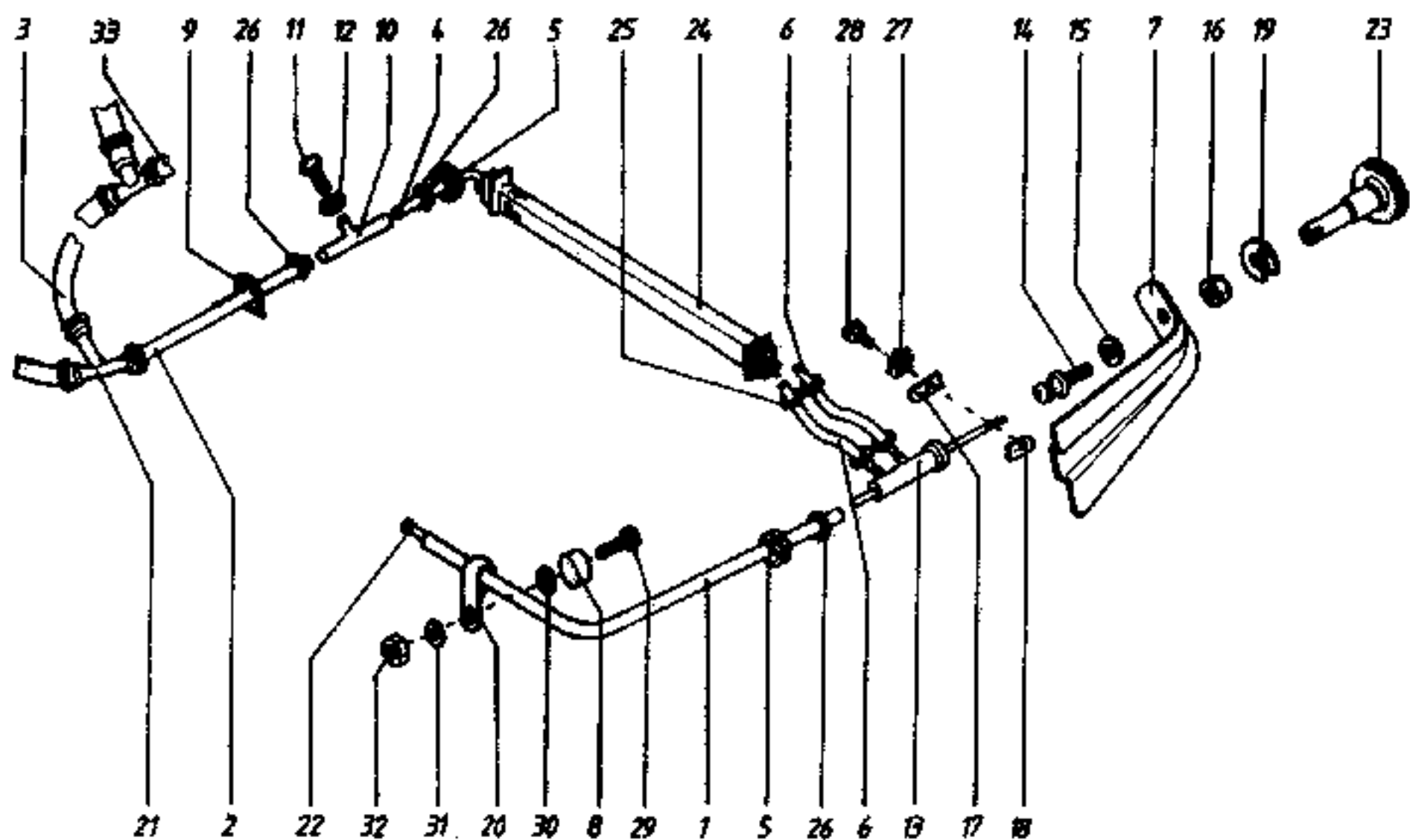
TUBULATURE DE CHAUFFAGE



TUBULATURA INCALZIRE ANS

HEATING HOSES

TUBULATURE DE CHAUFFAGE

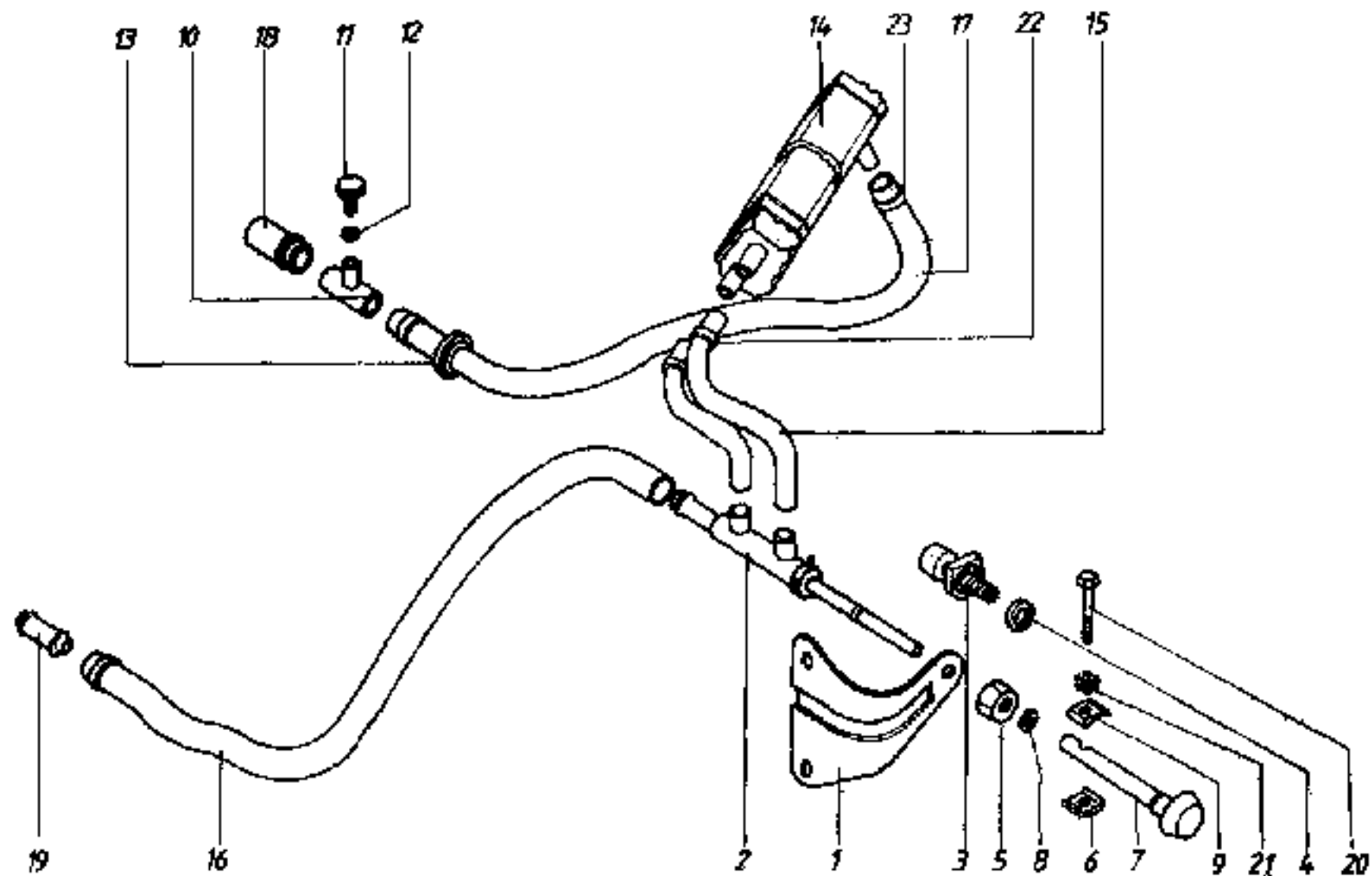


TUBULATURA INCALZIRE ANS.

HEATING HOSES ASSY

TUBULATURE DE CHAUFFAGE ENS

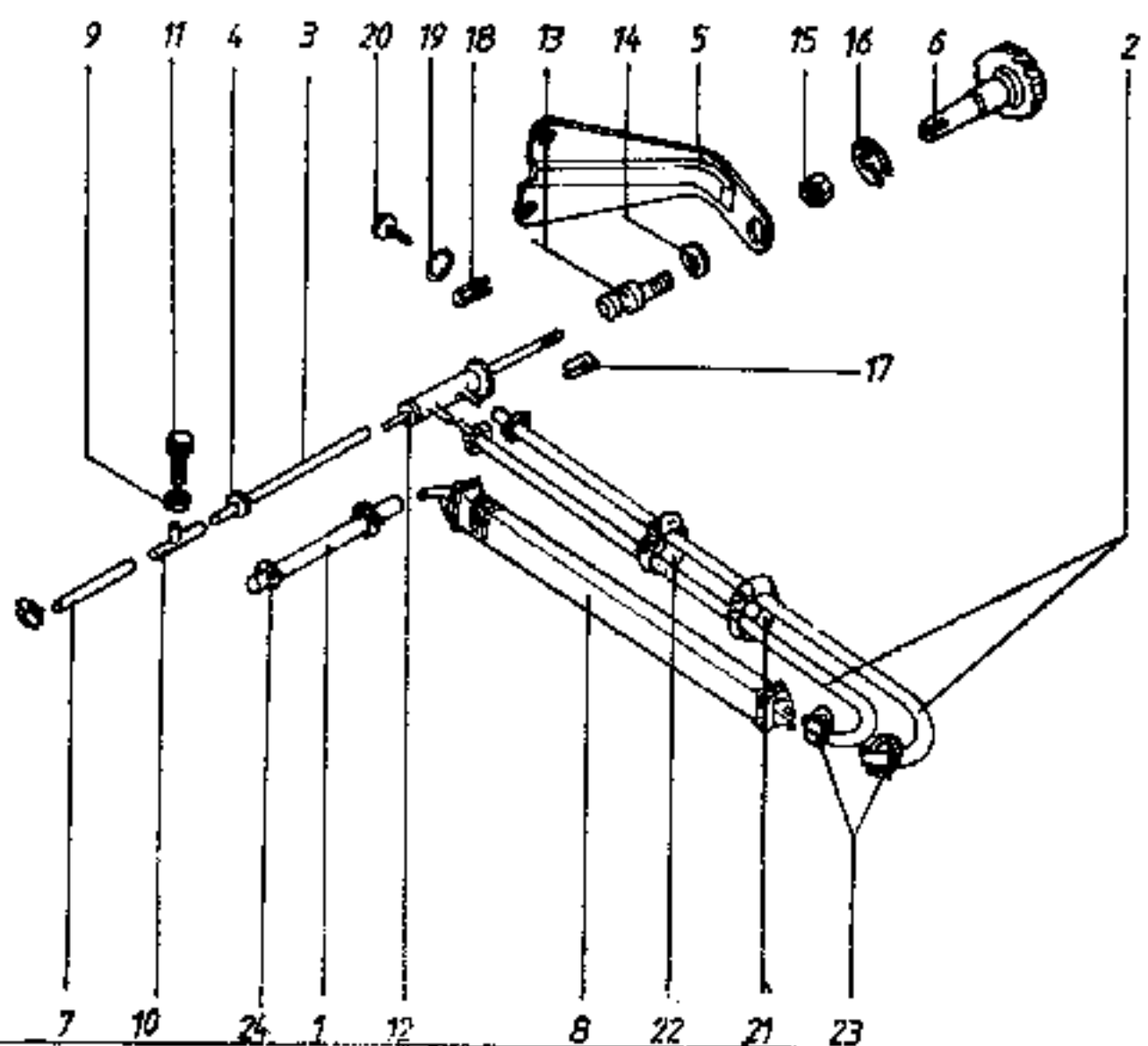
75-24



TUBULATURĂ ÎNCALZIRE

HEATING HOSES

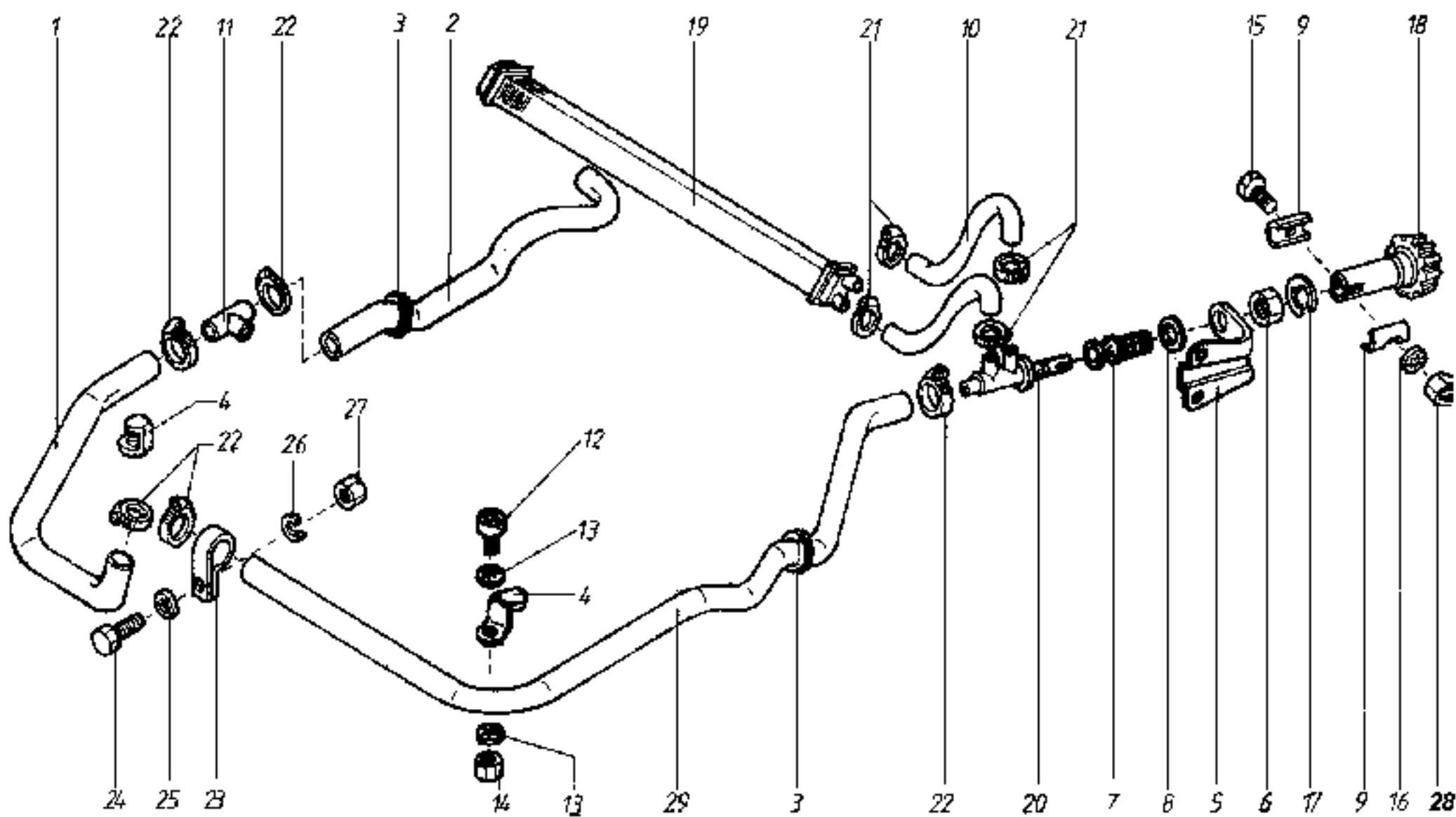
TUBULURE CHAUFFAGE



TUBULATURA INCALZIRE

HEATING HOSES

TUBULATURE DE CHAUFFAGE



TUBULATURA INCALZIRE

HEATING HOSES

TUBULATURE DE CHAUFFAGE

75-27



